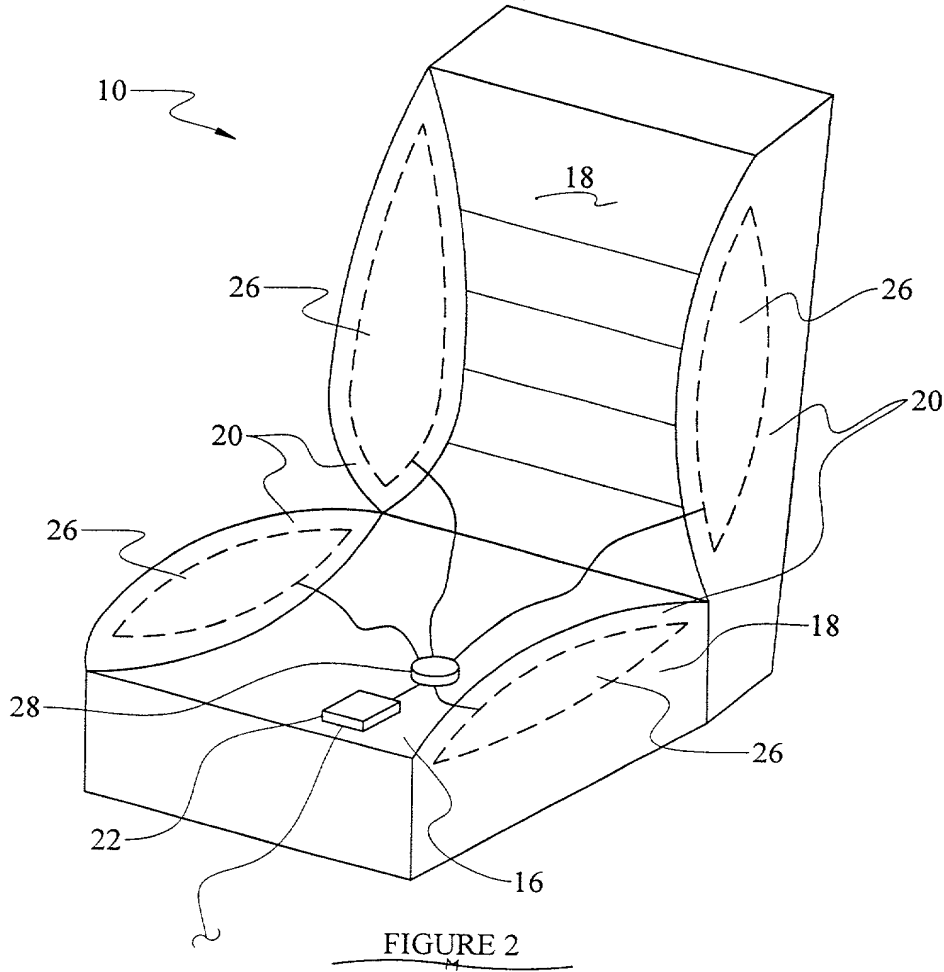


COMBINATION OF A SEATING SYSTEM AND A SHARED SENSOR



20040723 14:23:53

